

CHEVROLET
CITY EXPRESS



UPFIT
GUIDE

RANGERTM
DESIGN

Helping Mobile Technicians Work More Effectively by Providing Organized Storage Solutions

At Ranger Design, we believe more is possible.

We believe work vehicles and the technicians that drive them can become more organized, more efficient, more productive and more profitable. At Ranger Design we're committed to bringing you the products and services that make that possible.

More means helping you choose the right work van for your

application, as well as giving you engineering support and expert advice to help design the most efficient work space in your new vehicle.

More also means getting that new van outfitted and on the road faster, so you can start using it for the reason you bought it.

We're committed to bringing you more, because we believe more is possible.



MORE IS POSSIBLE



TABLE OF CONTENTS

| | |
|---------------------------------|-------|
| CHOOSE A PRODUCT LINE | P. 4 |
| PLAN YOUR VAN OUTFIT | P. 6 |
| GETTING STARTED | P. 7 |
| FLOORS | P. 8 |
| PARTITIONS | P. 10 |
| PACKAGES | P. 12 |
| SHELVING | P. 32 |
| DRAWERS | P. 37 |
| ACCESSORIES | P. 46 |
| LADDER RACKS | P. 57 |
| INSTALL KITS | P. 59 |
| HOW TO BUY | P. 60 |
| INDEX | P. 62 |

Choose A Product Line To Match Your Needs

Ranger Fleetline and Proline product groups ensure that fleets of any size have the best equipment to fit their budget, trade or fuel saving targets.



| | MATERIAL | BENEFITS | PRODUCTS | WARRANTY |
|--|-----------------|--|---|------------------|
| WHY BUY RANGER FLEETLINE? You want better quality and price than other steel products on the market. | Steel | Tough Low cost Quiet | Shelving, Partitions, Drawers, Accessories | 3 years* |
| WHY BUY RANGER PROLINE? You want the toughest, quietest product on the market. You need to optimize payload without sacrificing quality. | Aluminum | Toughest Lightweight Quiet | Shelving, Partitions, Drawers, Accessories, Ladder Racks | 10 years* |

*Ranger Design Inc. van equipment is warranted to be free from defects in material and workmanship under normal use and service for the period indicated, from the date of the original retail purchase, when installed per Ranger Design instructions in the original vehicle. Please contact Customer Service for full warranty details. Email: cs@rangerdesign.com

Throughout the catalog **FLEETLINE** products are depicted with yellow and **PROLINE** products with black.

1-800-565-5321
7 A.M. – 8 P.M. EST

World Class Customer Service



Real people, ready to answer in 2 rings or less*

We are pleased to offer efficient, personalized service and to answer all questions regarding:

- › Pricing/Quoting
- › Product install
- › Order status
- › Consultation
- › Shipment status
- › New product availability
- › Product specifications
- › Warranty claims
- › Returns/Restocking
- › Vehicle specifications

*Call customer service and the phone will be answered in 2 rings or less. Yes, a real, live person working in one of our offices in North America is available to answer your questions. No automated attendant. No complicated phone tree and offshore service. Call us to experience the difference.

PLAN YOUR VAN OUTFIT

INSIDE ROOF HEIGHT

To determine the maximum shelf height that can be used in the van.

PARTITION DEPTH

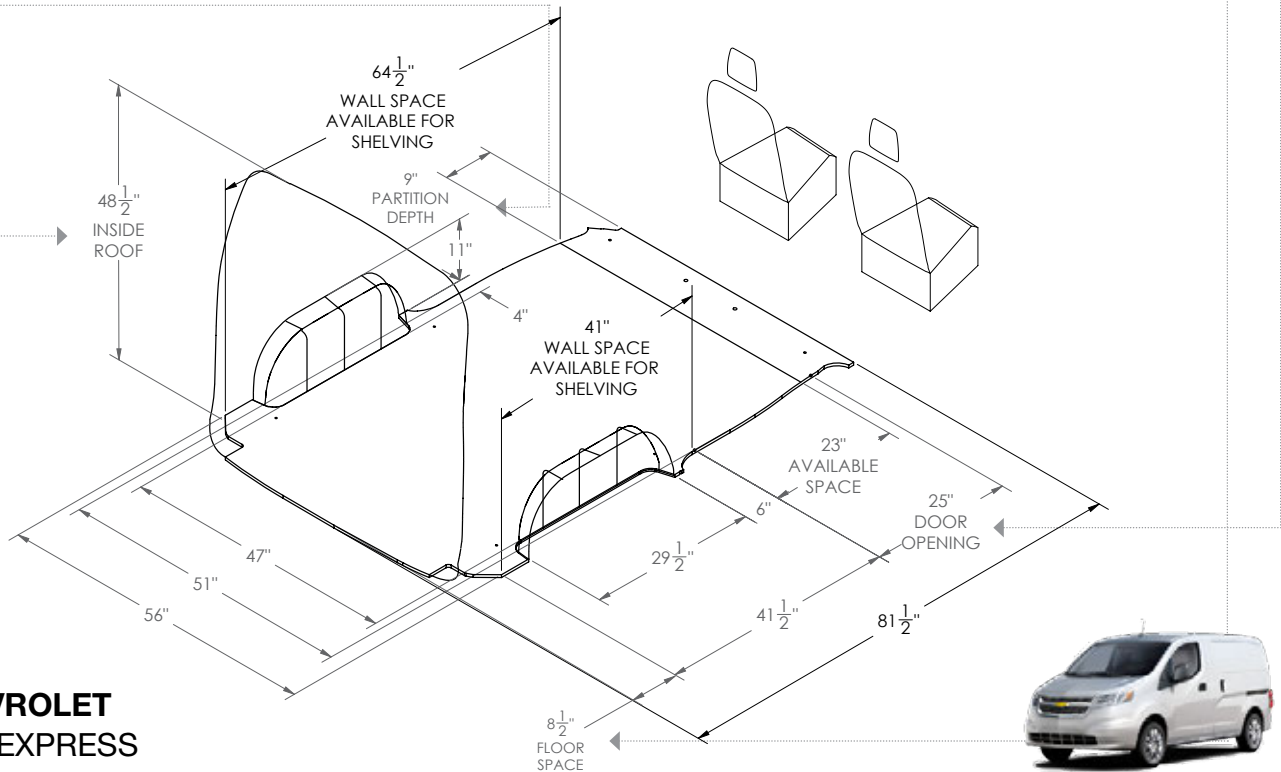
This indicates the space taken up by our partition for this vehicle. Please note that this measurement is determined by the partition that encroaches the most. Some partitions may take up less space. Take note that this measurement may not necessarily be on the floor.

DOOR OPENING

To determine where shelving will land in relation to the door opening. Use this measurement to determine the space available for drawer units.

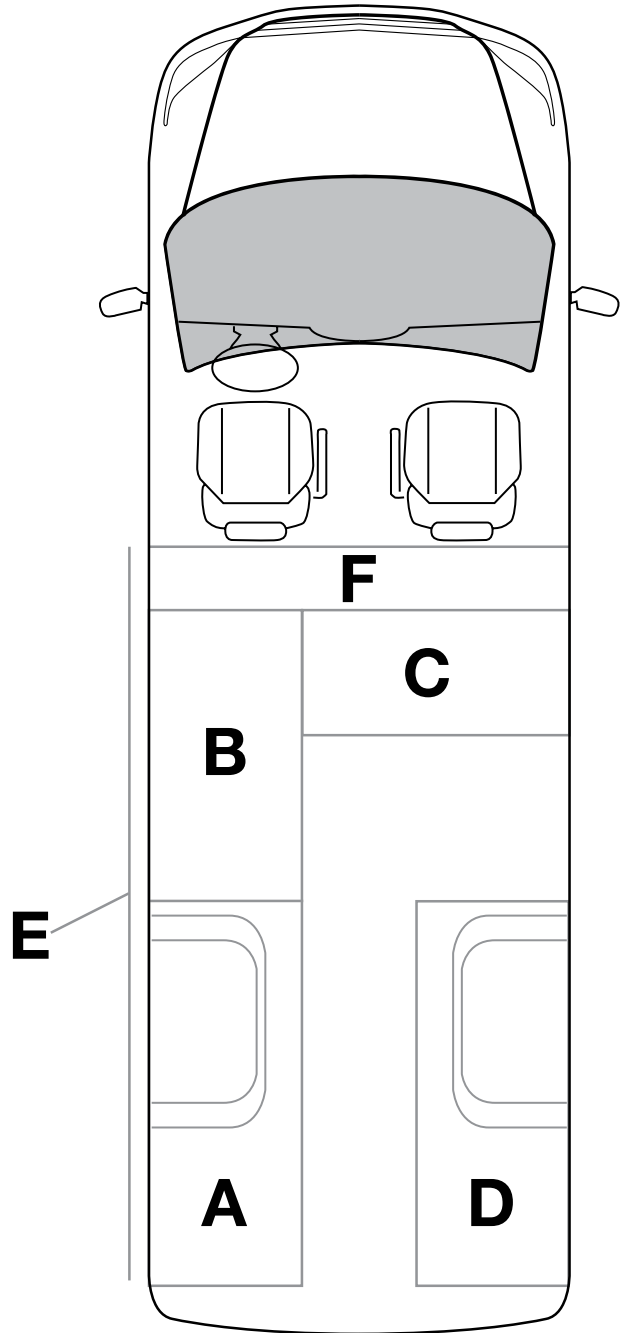
FLOOR SPACE

This area is usable floor space but due to curvature of the van there may not be the same available area at the roof. Please measure actual van for specific measurement at roof.



**CHEVROLET
CITY EXPRESS**
Regular 115" Wheelbase

Storage zones



Regular

- A** - Driver Side Rear
- B** - Driver Side Front
- C** - Partition and Slide Door
- D** - Passenger Side
- E** - Roof
- F** - Partition

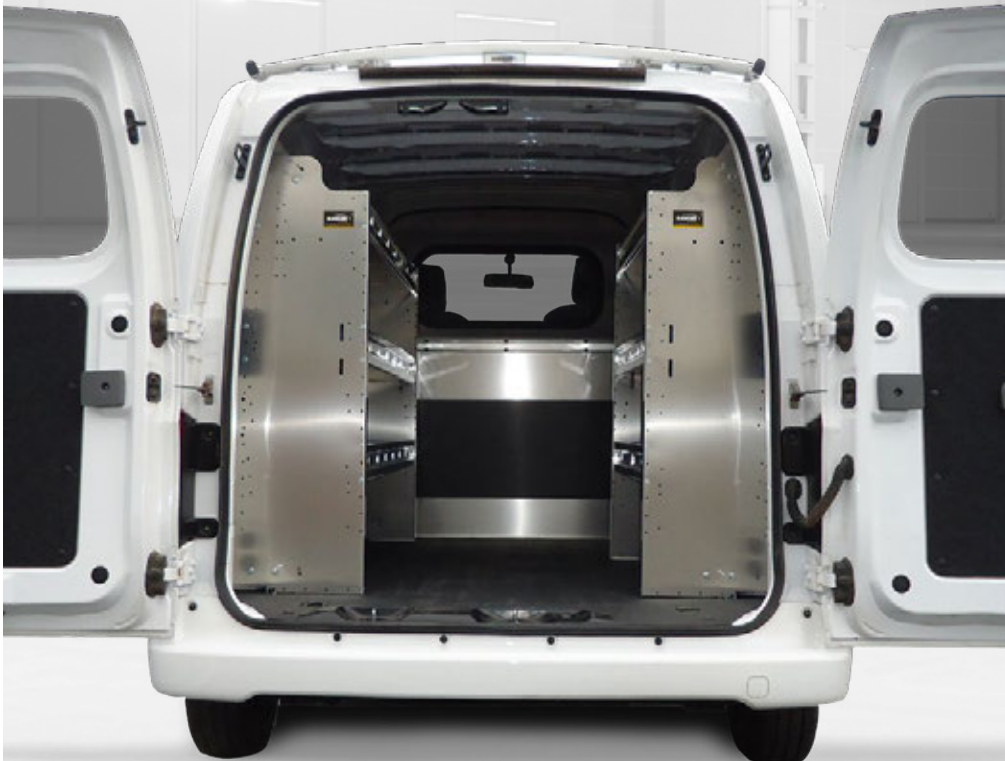
IT'S MORE THAN A FLOOR

Ranger Design's unique flooring system with integrated aluminum mounting tracks provide a flush surface, making it easy to install a variety of Ranger Design shelving, equipment and accessories.

Ranger Designs' custom-fit rigid flooring system is available for every type of service van. Designed to provide added safety and quieter ride, these impact and puncture-resistant floors give your van a professional look.

Unique benefits of these flooring products include:

- **Economical** – because the flooring has integrated mounting tracks for the price of a regular floor
- **Safer** – due to the integrated track, improved load distribution and noise reduction
- **Improved van resale value** – durable professional looking and protects the vehicle
- **Efficient** – 3 panel floor installed in 45 minutes by one person and easy to maintain



PROTECTION

The floor protects your vehicle and prevents damage to the factory floor.



SAFETY

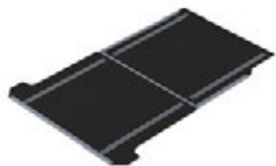
Due to the integrated track, improved load distribution and noise reduction.



EFFICIENCY



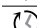

Custom-fit easy to install by one person.

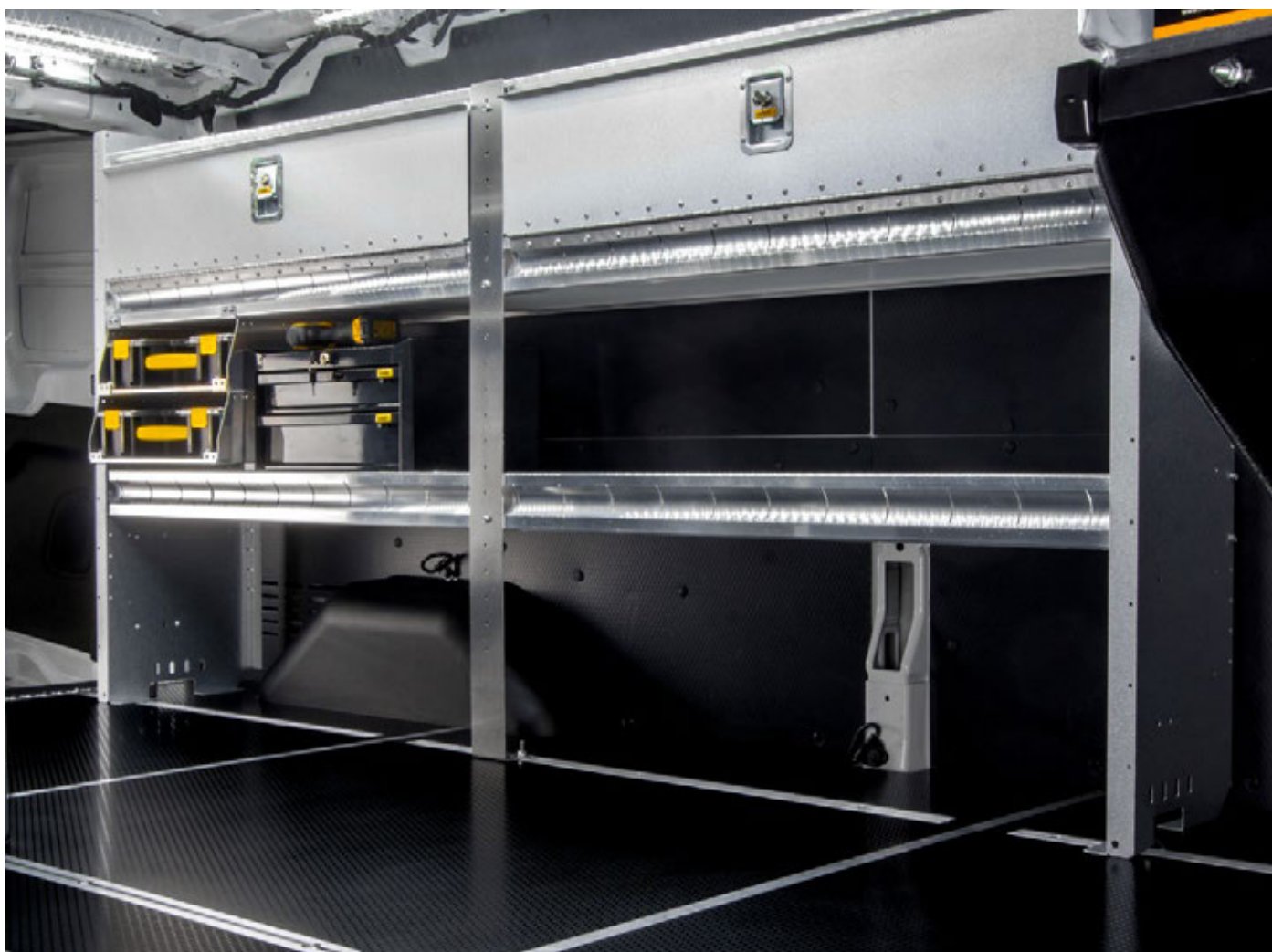
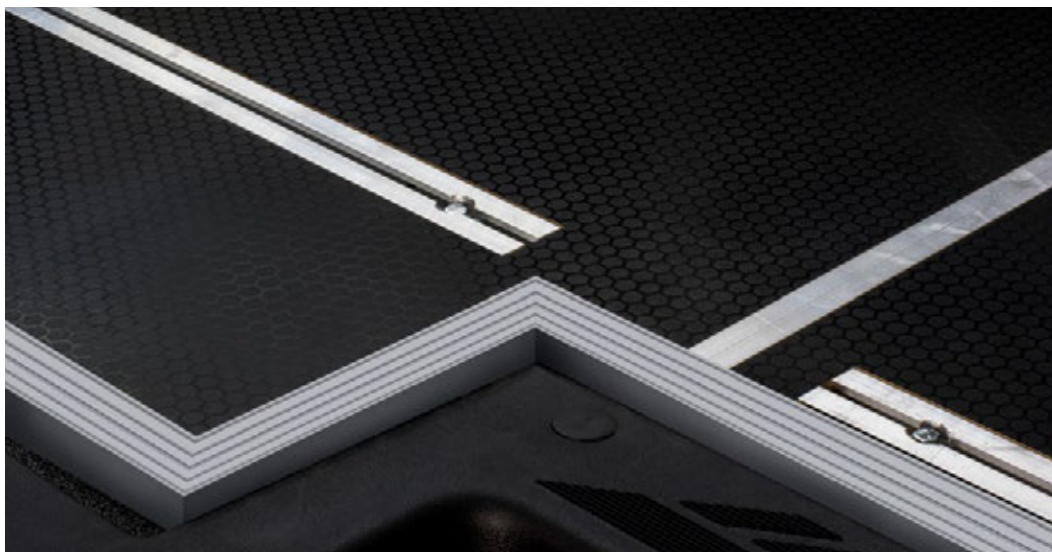




6540-NS

Chevrolet City Express Floor

| | |
|---|--------|
|  | 115" |
|  | 42 lbs |
|  | 1 hr |
|  | Yes |



Impact and puncture resistant floors preserve the cargo van interior.

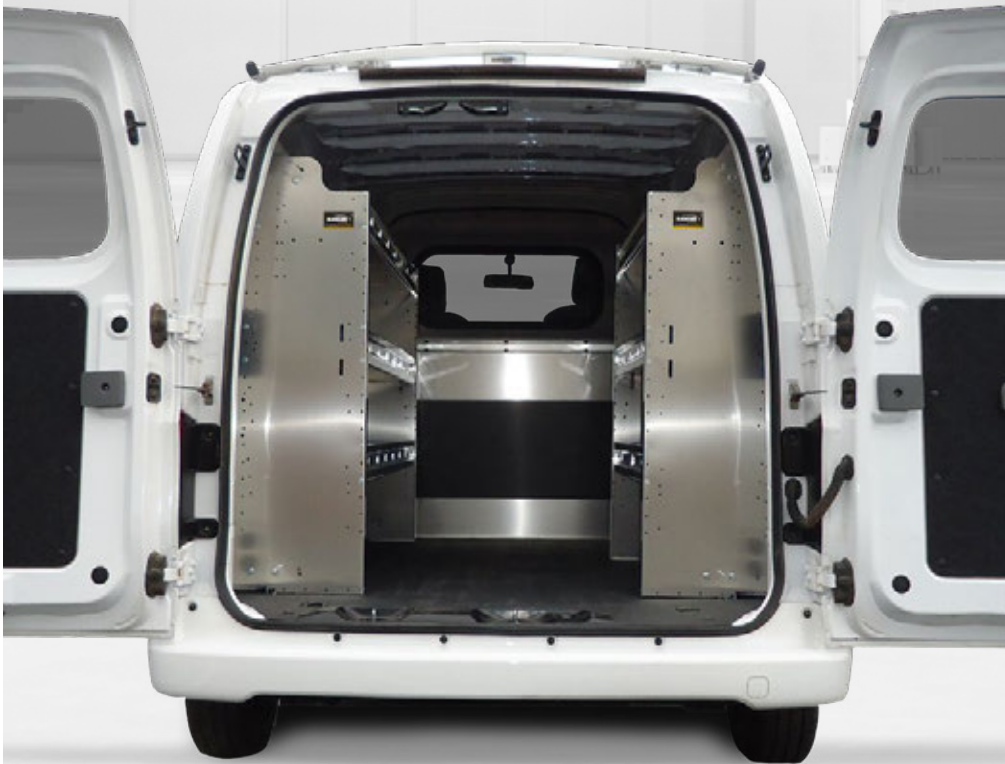
SAFETY PARTITIONS

Impact tested safety partitions protect the most important asset: you

Ranger Design safety partitions provide a solid and secure barrier between the occupants of the van and the cargo.

Built from heavy gauge steel and aluminum, they are designed for maximum impact resistance and uphold a standard of safety set only by Ranger products.

Ranger Design partitions also provide a more comfortable environment for the driver by giving more seat travel and by not rattling as the vehicle drives down the road.



SAFE

Designed for maximum impact resistance. Proven by impact testing.



EFFICIENT

1. Contoured to maintain seat travel and ensure driver comfort. 2. Contoured to capitalize on cargo area floor space.



QUIET

Thickness of material cancels vibrations.





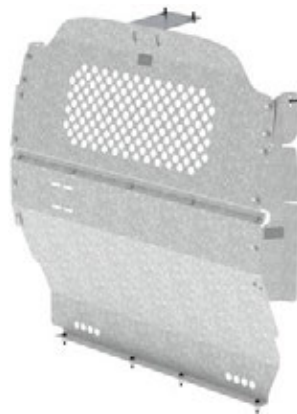
3010-NS
Contoured Safety Partition

| Aluminum | |
|---------------|--|
| Standard Roof | |
| 42 lbs | |
| 1 hr | |
| Yes | |
| 3.3" | |



3020-NS
Contoured Safety Partition with Tempered Glass Window

| Aluminum | |
|---------------|--|
| Standard Roof | |
| 49 lbs | |
| 1 hr | |
| Yes | |
| 3.3" | |



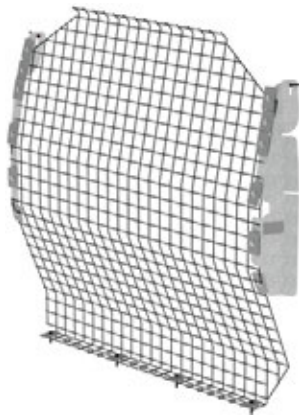
C10-W
Contoured Safety Partition with Perforated Window

| Steel | |
|---------------|--|
| Standard Roof | |
| 53 lbs | |
| 1 hr | |
| Yes | |
| 2.94" | |



C12-W
Contoured Safety Partition

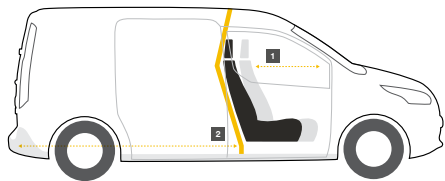
| Steel | |
|---------------|--|
| Standard Roof | |
| 53 lbs | |
| 1 hr | |
| Yes | |
| 2.94" | |



C13-W
Wire Mesh Partition

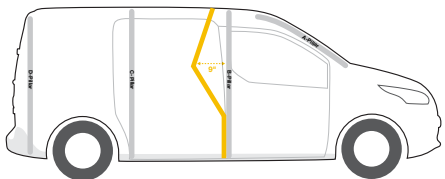
| Steel | |
|---------------|--|
| Standard Roof | |
| 25 lbs | |
| 0.7 hr | |
| Yes | |
| 3.45" | |

CONTOURED SAFETY PARTITIONS



1. Contoured to maintain seat travel and ensure driver comfort.
2. Contoured to capitalize on cargo area floor space.

SETBACK FROM B PILLAR





TRADE PACKAGES

Pre-engineered packages
for a broad range of trades.



CHOICE

A range of Fleetline and Proline packages are available for each vehicle.



TRADE SPECIFIC

Packages are created with the specific trades in mind. Optimized for maximum productivity.



PERFECT FIT

Engineered to optimize space. Layout designed to ensure that all tools are well within reach.

TRADE PACKAGES

CONTRACTOR P. 14

DELIVERY P. 26

ELECTRICAL P. 18

HVAC P. 31

SERVICE P. 22

Get more out of your work van: Ranger Design packages are designed specifically with your trade in mind. Our aim is to ensure that your most frequently used tools and equipment are well within reach.

Do you see a way that we can improve our packages? We appreciate your feedback! Contact our customer service team at **1-800-565-5321**.





W010

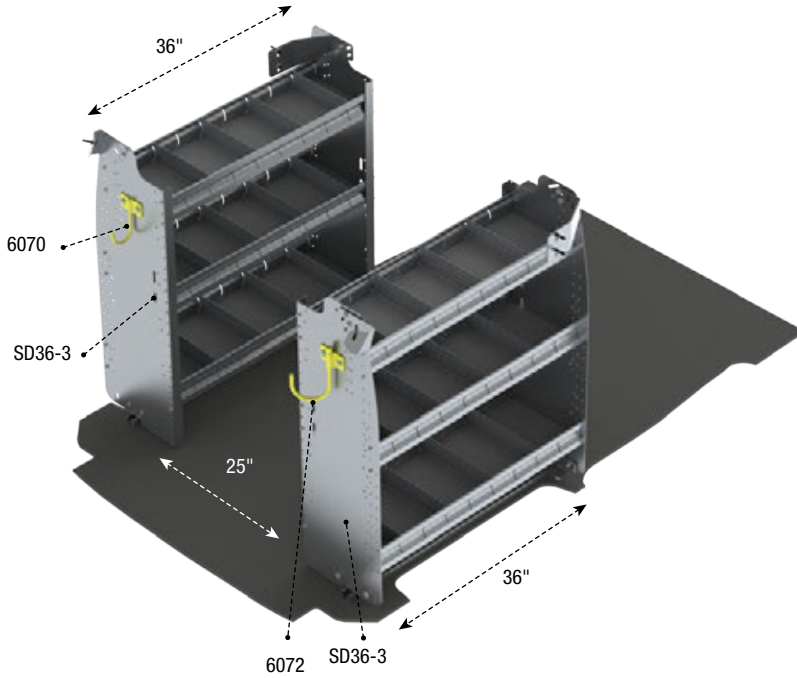
Contractor Package



*Preproduction model shown,
do not use as an installation guide.

CONTRACTOR PACKAGES

PACKAGES



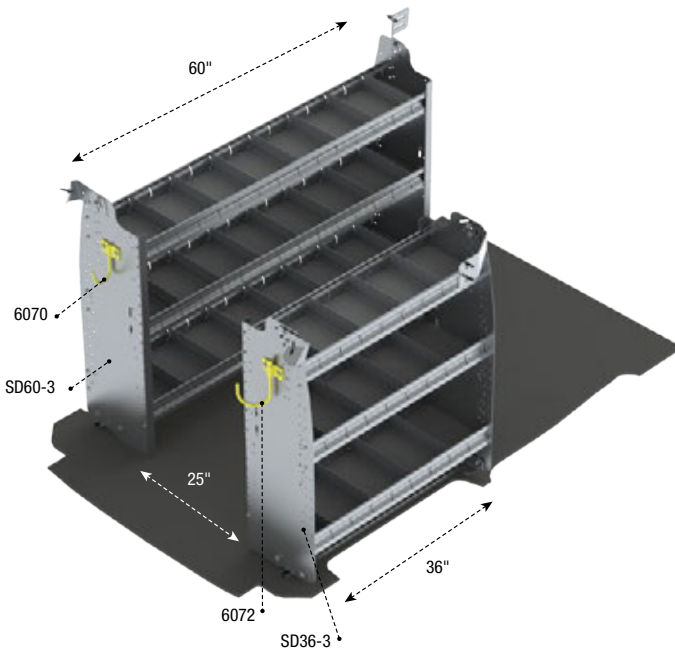
W010 Contractor Package

Aluminum

| | | |
|-------|----------|--------|
| 115" | Standard | 73 lbs |
| 2 hrs | Yes | |

| Qty | Part # | Description |
|-----|--------|-----------------------|
| 1 | 6070 | Large hook, fixed |
| 1 | 6072 | Large hook, swivel |
| 2 | SD36-3 | Shelf unit, contoured |

Drill-free installation



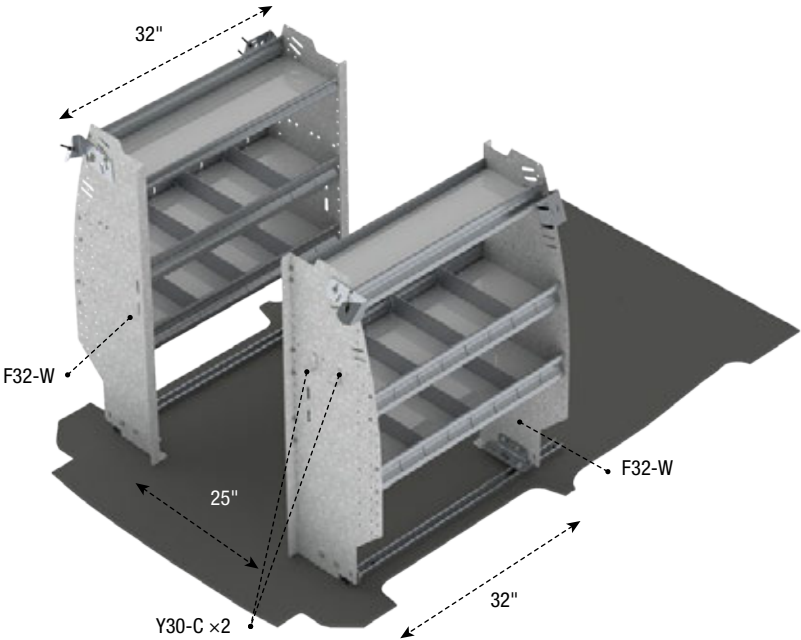
W110 Deluxe Contractor Package

Aluminum

| | | |
|-------|----------|--------|
| 115" | Standard | 89 lbs |
| 2 hrs | Yes | |

| Qty | Part # | Description |
|-----|--------|-----------------------|
| 1 | 6070 | Large hook, fixed |
| 1 | 6072 | Large hook, swivel |
| 1 | SD36-3 | Shelf unit, contoured |
| 1 | SD60-3 | Shelf unit, contoured |

Drill-free installation



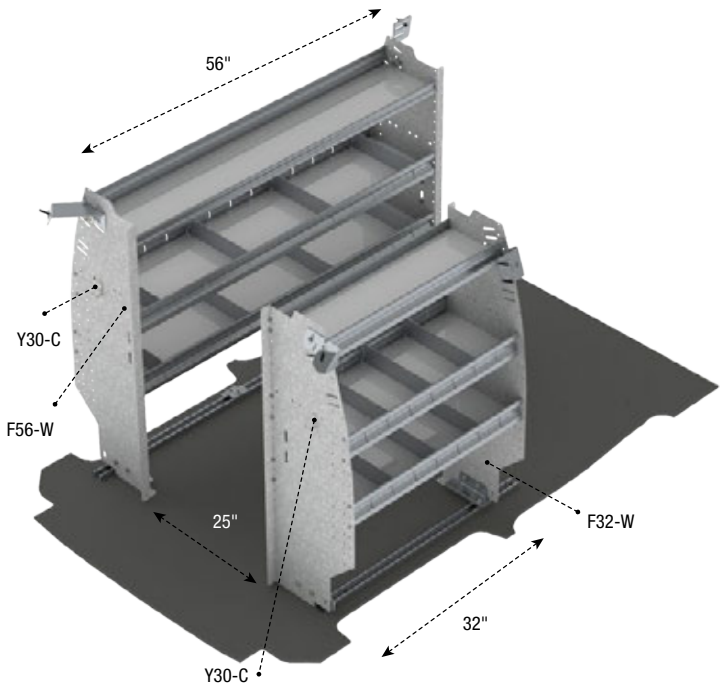
Z10-BW
Base Contractor Package

Steel

| | | |
|---------|----------|--------|
| 115" | Standard | 96 lbs |
| 2.4 hrs | Yes | |

| Qty | Part # | Description |
|-----|--------|-----------------------|
| 2 | F32-W | Shelf unit, contoured |
| 2 | Y30-C | Small hook |

Drill-free installation



Z10-DW
Deluxe Contractor Package

Steel

| | | |
|---------|----------|---------|
| 115" | Standard | 114 lbs |
| 2.4 hrs | Yes | |

| Qty | Part # | Description |
|-----|--------|-----------------------|
| 1 | F32-W | Shelf unit, contoured |
| 1 | F56-W | Shelf unit, contoured |
| 2 | Y30-C | Small hook |

Drill-free installation



W111

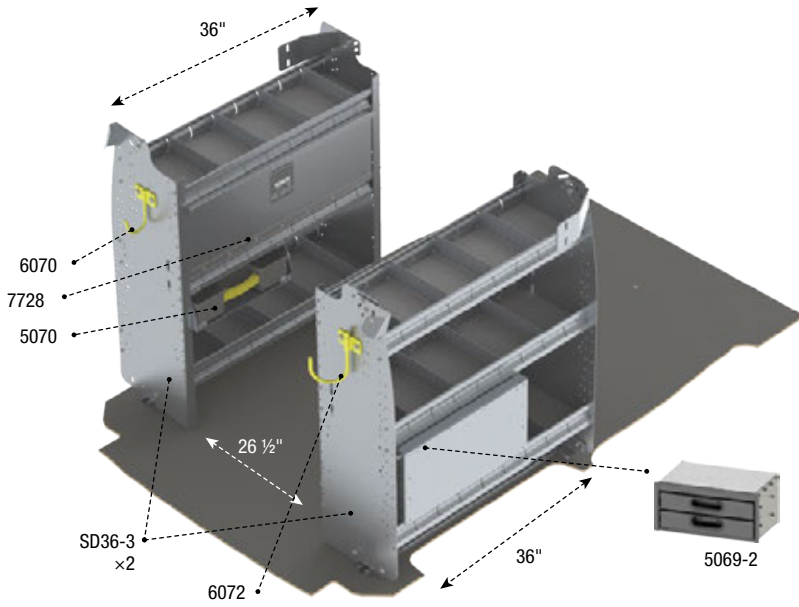
Electrical Package



*Preproduction model shown, do not use as an installation guide.

ELECTRICAL PACKAGES

PACKAGES



W011 Electrical Package

Aluminum

115"

Standard

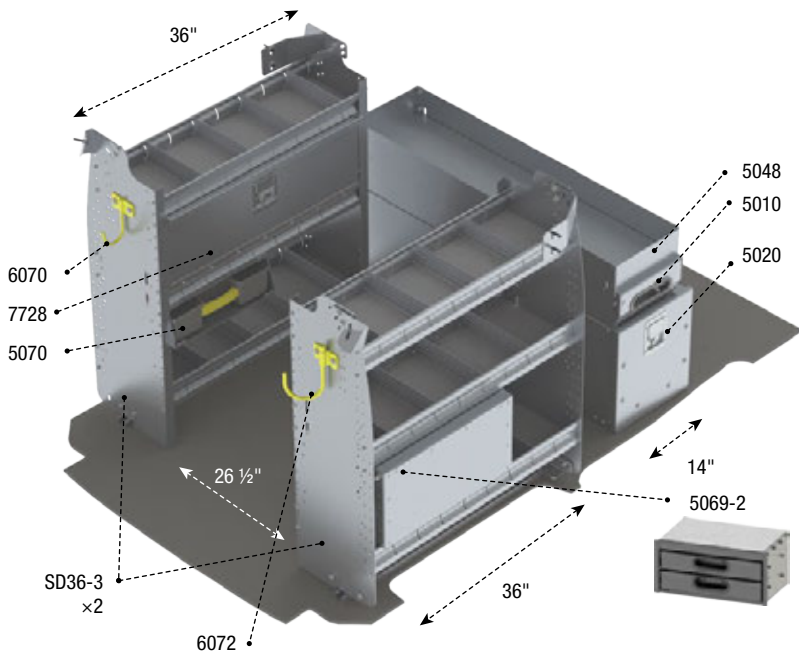
120 lbs

3.3 hrs

Yes

| Qty | Part # | Description |
|-----|--------|-------------------------|
| 1 | 5069-2 | Drawer cabinet |
| 1 | 5070 | Partskeeper shelf mount |
| 1 | 6070 | Large hook, fixed |
| 1 | 6072 | Large hook, swivel |
| 1 | 7728 | Locking door kit |
| 2 | SD36-3 | Shelf unit, contoured |

Drill-free installation



W111 Deluxe Electrical Package

Aluminum

115"

Standard

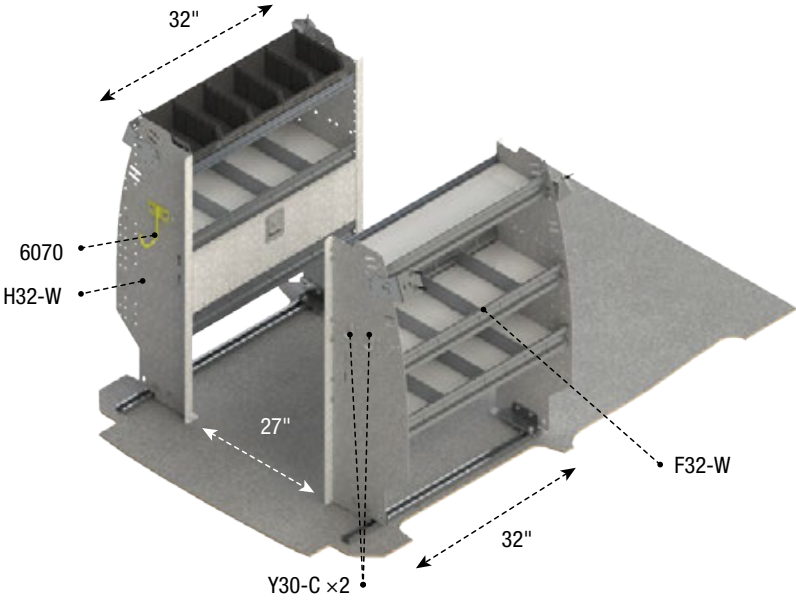
201 lbs

5 hrs

Yes

| Qty | Part # | Description |
|-----|--------|-----------------------------|
| 1 | 5010 | Partslider drawer |
| 1 | 5020 | Tool drawer |
| 1 | 5048 | Partslider drawer, top edge |
| 1 | 5069-2 | Drawer cabinet |
| 1 | 5070 | Partskeeper shelf mount |
| 1 | 6070 | Large hook, fixed |
| 1 | 6072 | Large hook, swivel |
| 1 | 7728 | Locking door kit |
| 2 | SD36-3 | Shelf unit, contoured |

Drill-free installation



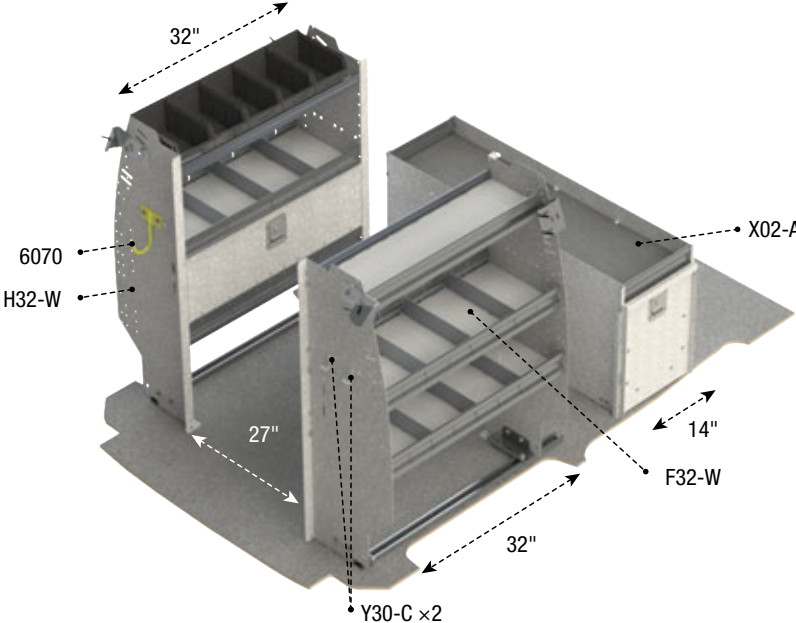
Z11-BW
Base Electrical Package

Steel

| | | |
|---------|----------|---------|
| 115" | Standard | 107 lbs |
| 2.6 hrs | Yes | |

| Qty | Part # | Description |
|-----|--------|-----------------------|
| 1 | 6070 | Large hook, fixed |
| 1 | F32-W | Shelf unit, contoured |
| 1 | H32-W | Bin unit, contoured |
| 2 | Y30-C | Small hook |

Drill-free installation



Z11-DW
Deluxe Electrical Package

Steel

| | | |
|---------|----------|---------|
| 115" | Standard | 187 lbs |
| 3.6 hrs | Yes | |

| Qty | Part # | Description |
|-----|--------|-----------------------|
| 1 | 6070 | Large hook, fixed |
| 1 | F32-W | Shelf unit, contoured |
| 1 | H32-W | Bin unit, contoured |
| 1 | X02-A | Tool drawer |
| 2 | Y30-C | Small hook |

Drill-free installation



W116

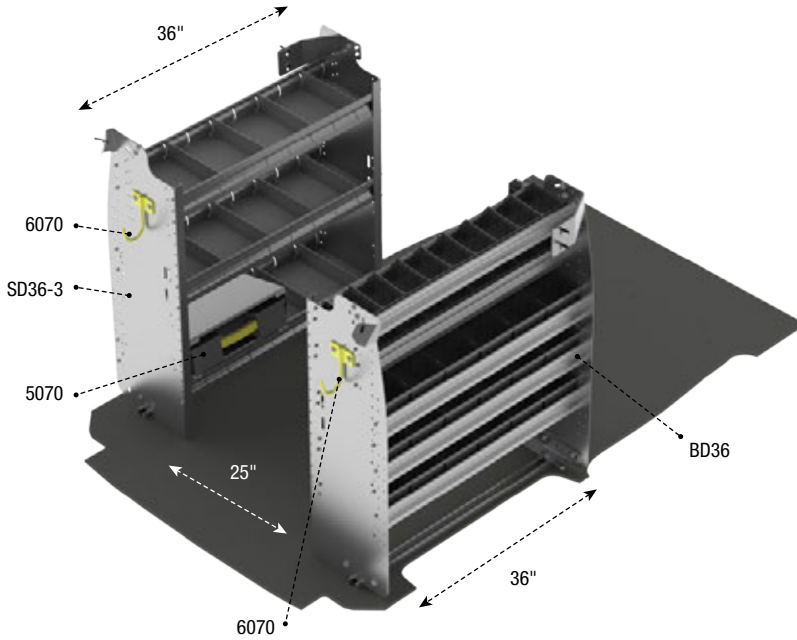
Service Package



*Preproduction model shown,
do not use as an installation guide.

SERVICE PACKAGES

PACKAGES



W016 Service Package

Aluminum

115"

Standard

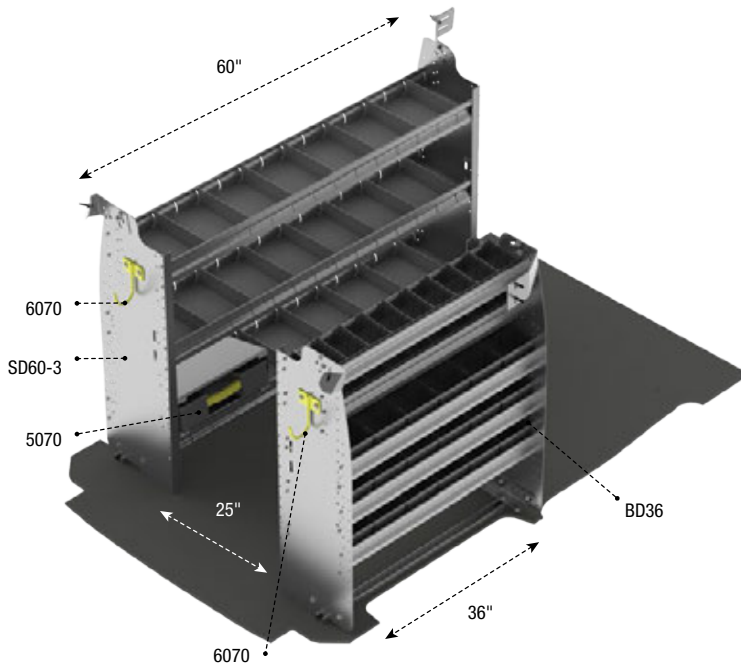
93 lbs

2.5 hrs

Yes

| Qty | Part # | Description |
|-----|--------|-------------------------|
| 1 | 5070 | Partskeeper shelf mount |
| 2 | 6070 | Large hook, fixed |
| 1 | BD36 | Bin unit, contoured |
| 1 | SD36-3 | Shelf unit, contoured |

Drill-free installation



W116 Deluxe Service Package

Aluminum

115"

Standard

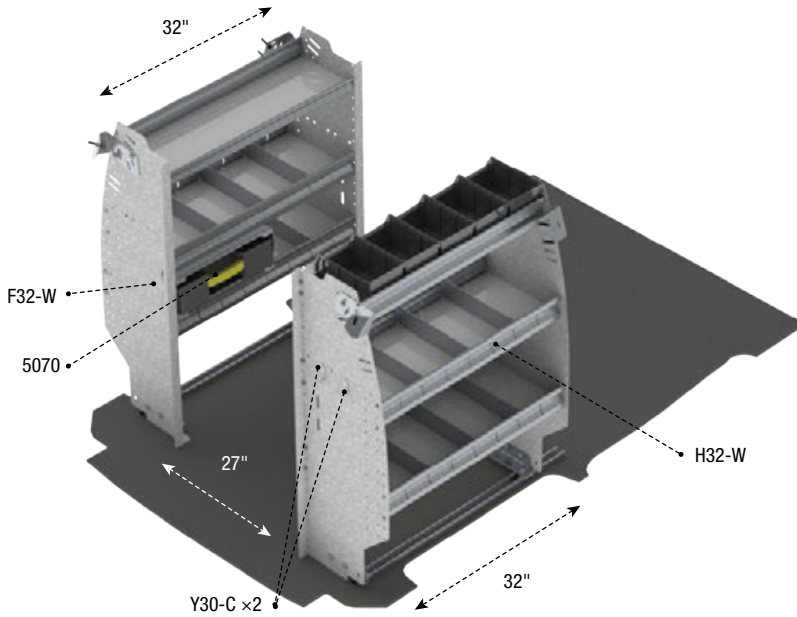
109 lbs

2.5 hrs

Yes

| Qty | Part # | Description |
|-----|--------|-------------------------|
| 1 | 5070 | Partskeeper shelf mount |
| 2 | 6070 | Large hook, fixed |
| 1 | BD36 | Bin unit, contoured |
| 1 | SD60-3 | Shelf unit, contoured |

Drill-free installation



Z16-BW Base Service Package

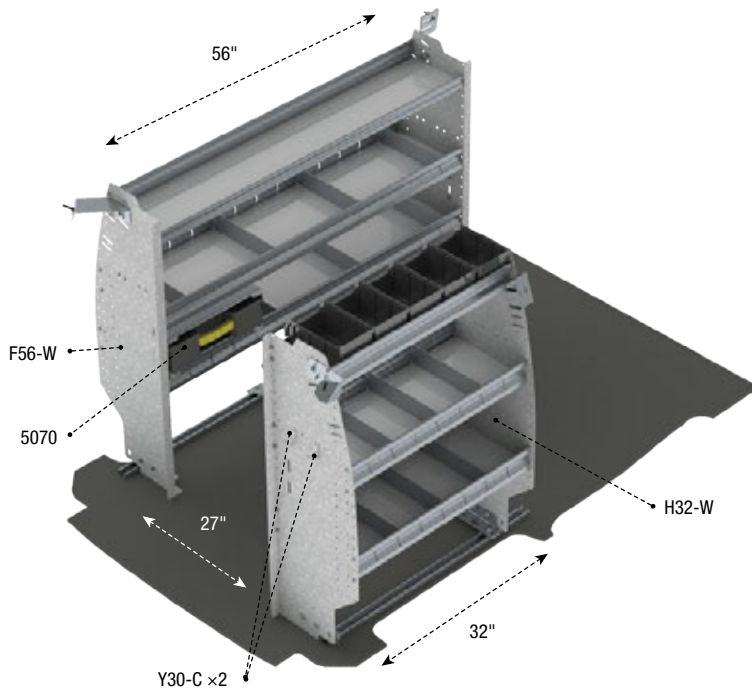
Steel

| | | |
|---------|----------|---------|
| 115" | Standard | 113 lbs |
| 2.7 hrs | Yes | |

| Qty | Part # | Description |
|-----|--------|-------------------------|
| 1 | 5070 | Partskeeper shelf mount |
| 1 | F32-W | Shelf unit, contoured |
| 1 | H32-W | Bin unit, contoured |
| 2 | Y30-C | Small hook |

Drill-free installation

PACKAGES



Z16-DW Deluxe Service Package

Steel

| | | |
|---------|----------|---------|
| 115" | Standard | 131 lbs |
| 2.7 hrs | Yes | |

| Qty | Part # | Description |
|-----|--------|-------------------------|
| 1 | 5070 | Partskeeper shelf mount |
| 1 | F56-W | Shelf unit, contoured |
| 1 | H32-W | Bin unit, contoured |
| 2 | Y30-C | Small hook |

Drill-free installation



FRAGILE

MADE IN CANADA / FABRIQUÉ AU CANADA

FRAGILE

MADE IN CANADA / FABRIQUÉ AU CANADA

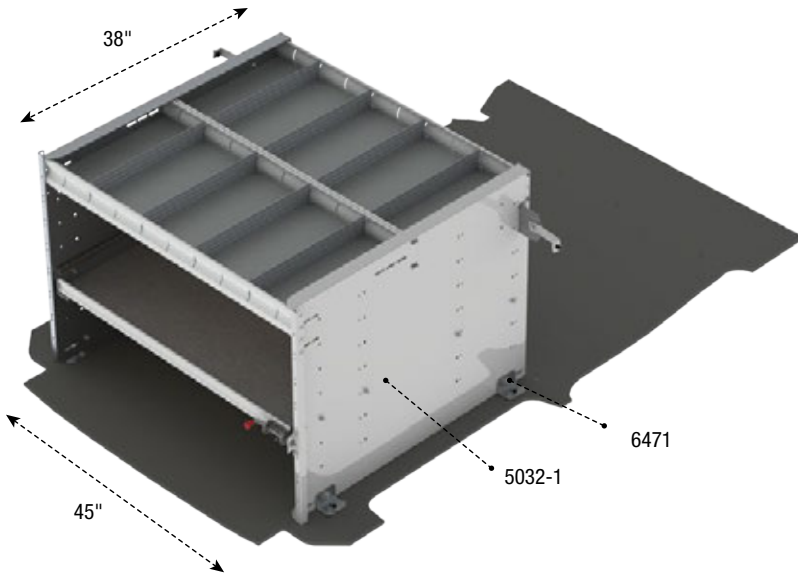
W019

Delivery Package



DELIVERY PACKAGES

PACKAGES



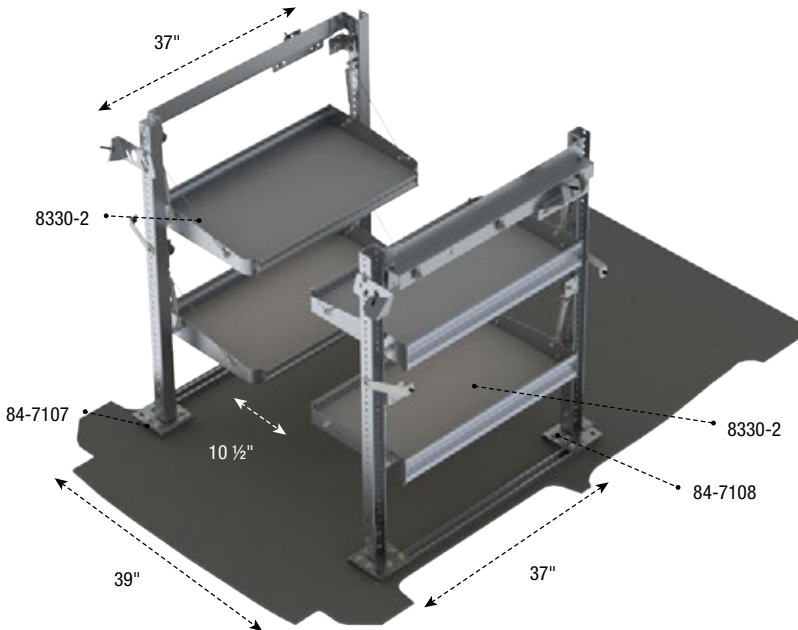
W019 Delivery Package

Aluminum

| | | |
|------|----------|--------|
| 115" | Standard | 89 lbs |
| 1 hr | Yes | |

| Qty | Part # | Description |
|-----|---------------|--------------------------|
| 1 | 5032-1 | Drawer, Access Tray |
| 1 | 6471 | Install kit, Access Tray |

Drill-free installation



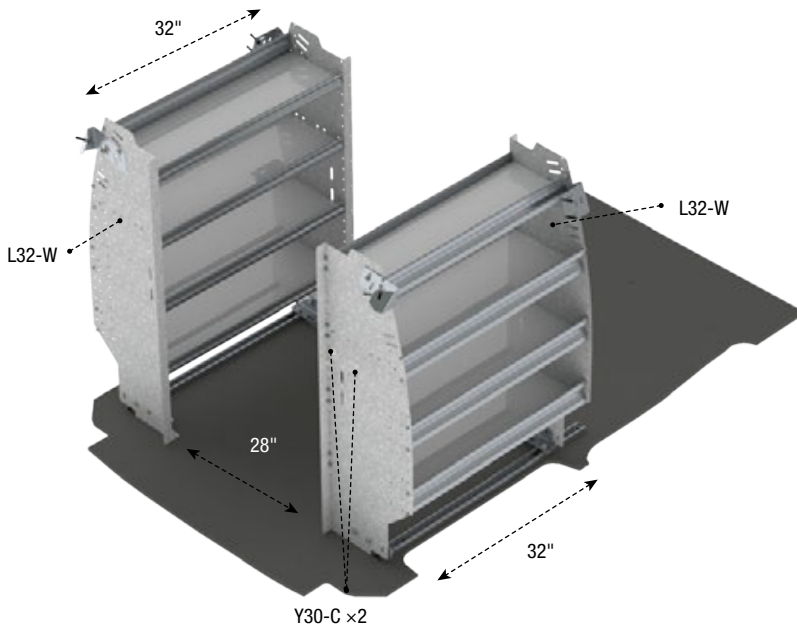
W119 Deluxe Delivery Package

Aluminum

| | | |
|---------|----------|--------|
| 115" | Standard | 90 lbs |
| 2.6 hrs | Yes | |

| Qty | Part # | Description |
|-----|----------------|----------------------------------|
| 2 | 8330-2 | Shelf unit, Fold-Away |
| 1 | 84-7107 | Fold-Away install kit, driver |
| 1 | 84-7108 | Fold-Away install kit, passenger |

Drill-free installation



Z19-BW

Delivery Package

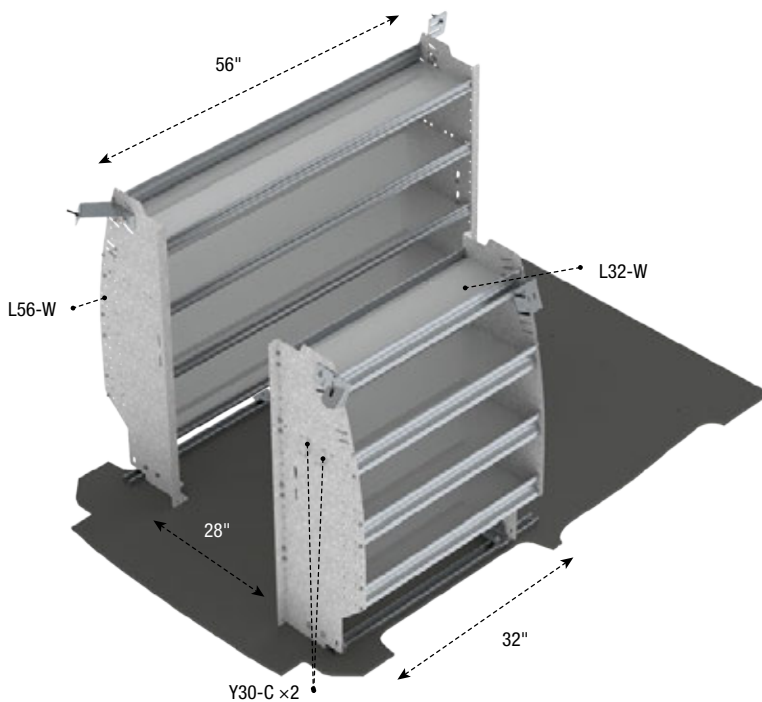
Steel

| | | |
|---------|----------|---------|
| 115" | Standard | 110 lbs |
| 2.4 hrs | Yes | |

| Qty | Part # | Description |
|-----|--------|-----------------------|
| 2 | L32-W | Shelf unit, contoured |
| 2 | Y30-C | Small hook |

Drill-free installation

PACKAGES



Z19-DW

Deluxe Delivery Package

Steel

| | | |
|---------|----------|---------|
| 115" | Standard | 133 lbs |
| 2.4 hrs | Yes | |

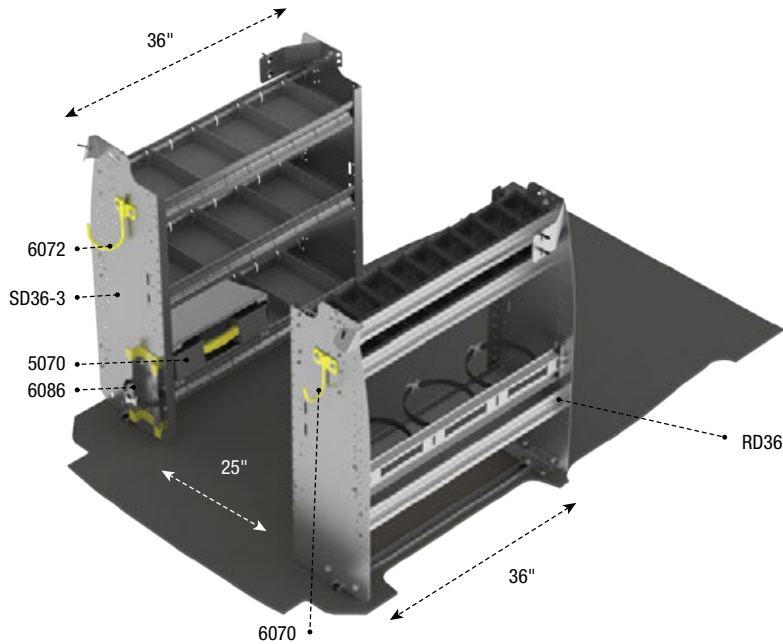
| Qty | Part # | Description |
|-----|--------|-----------------------|
| 1 | L32-W | Shelf unit, contoured |
| 1 | L56-W | Shelf unit, contoured |
| 2 | Y30-C | Small hook |

Drill-free installation

W112

HVAC Package



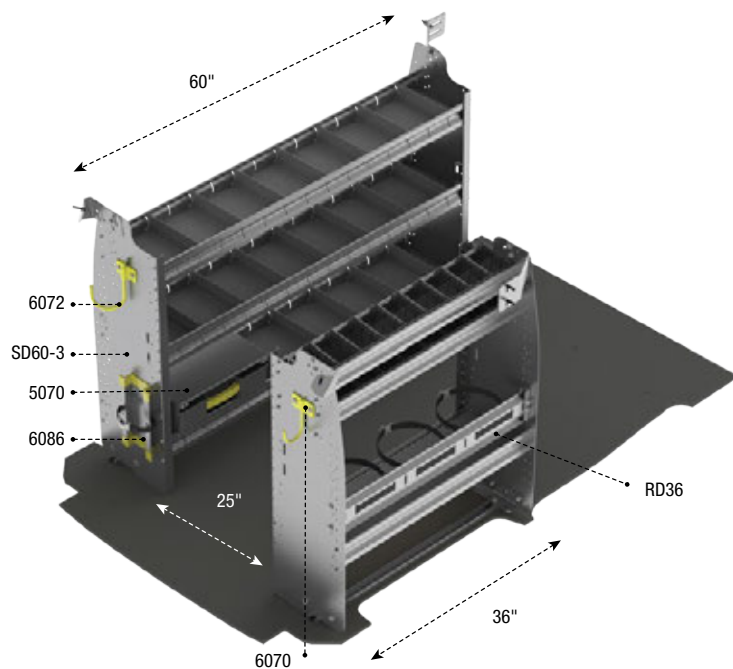


W012 HVAC Package

Aluminum

| | | |
|-------|----------|--------|
| 115" | Standard | 73 lbs |
| 3 hrs | No | |

| Qty | Part # | Description |
|-----|--------|-------------------------|
| 1 | 5070 | Partskeeper shelf mount |
| 1 | 6070 | Large hook, fixed |
| 1 | 6072 | Large hook, swivel |
| 1 | 6086 | Bottle rack |
| 1 | RD36 | Bottle shelf, contoured |
| 1 | SD36-3 | Shelf unit, contoured |



W112 Deluxe HVAC Package

Aluminum

| | | |
|-------|----------|--------|
| 115" | Standard | 89 lbs |
| 3 hrs | No | |

| Qty | Part # | Description |
|-----|--------|-------------------------|
| 1 | 5070 | Partskeeper shelf mount |
| 1 | 6070 | Large hook, fixed |
| 1 | 6072 | Large hook, swivel |
| 1 | 6086 | Bottle rack |
| 1 | RD36 | Bottle shelf, contoured |
| 1 | SD60-3 | Shelf unit, contoured |

SHELVING

Industry leading strength.
The perfect fit for the toughest jobs.

CONTOURED UNITS

- CONTOURED BIN SHELVING UNIT P. 33
- CONTOURED REFRIGERANT BIN UNIT P. 33
- CONTOURED SHELVING UNIT P. 33
- CONTOURED SHELVING UNIT W/ DIVIDERS P. 34

FOLD-AWAY SHELVING P. 34

SQUARE BACK UNITS

- SQUARE BACK BIN SHELVING UNIT P. 34

DOORS P. 35

Ranger Design shelving is built strong and durable and often outlasts the vehicle. Designed to fit with maximum efficiency, Ranger shelving optimizes the space in a work van's cargo area.



TOUGH
Extrusion builds durability into shelf



QUIET
Shelf tray, end panel and extrusion are engineered to be vibration free



ORGANIZED
A well-Planned van outfit increases productivity



CONTOURED BIN SHELVING UNIT – SHELVING

Contoured Bin Shelving Unit








Aluminum

| | | | | | | | |
|-------------|---|---|---|---|---|---|---|
| |  |  |  |  |  |  |  |
| BD36 | 14" D x 36" W x 40" H | 49 lbs | | | 18 (sm), 18 (md) | 1 hr | Yes |



Contoured Bin Shelving Unit

Steel

| | | | | | | | |
|--------------|---|---|---|---|---|---|---|
| |  |  |  |  |  |  |  |
| H32-W | 14" D x 32" W x 46" H | 58 lbs | 3 Shelves (9", 12", 13") | 6 | 5 (md) | 1 hr | Yes |



Contoured Refrigerant Bin Unit








Aluminum

| | | | | | | | | |
|-------------|---|---|---|---|---|---|---|---|
| |  |  |  |  |  |  |  |  |
| RD36 | 13.75" D x 36" W x 40" H | 28 lbs | | 3 | | 18 (sm) | 1.3 hrs | No |



Contoured Shelving Unit

Steel








| | | | | | | | |
|--------------|---|---|---|---|---|---|---|
| |  |  |  |  |  |  |  |
| L32-W | 14" D x 32" W x 46" H | 55 lbs | 4 Shelves (9", 12", 13", 13") | | | 1 hr | Yes |
| L56-W | 14" D x 56" W x 46" H | 78 lbs | 4 Shelves (9", 12", 13", 13") | | | 1 hr | Yes |



SHELVING – CONTOURED SHELVING UNIT WITH DIVIDERS

Contoured Shelving Unit with Dividers








Aluminum

| |  |  |  |  |  |  |  |
|---------------|---|---|---|---|---|--|---|
| SD36-3 | 14" D x 36" W x 40" H | 36 lbs | 3 Shelves (10", 11", 12") | 12 | 7728 | 0.8 hr | Yes |
| SD60-3 | 14" D x 60" W x 40" H | 52 lbs | 3 Shelves (10", 11", 12") | 24 | 7727 | 0.8 hr | Yes |



Contoured Shelving Unit with Dividers








Steel

| |  |  |  |  |  |  |  |
|--------------|---|---|---|---|---|--|---|
| F32-W | 14" D x 32" W x 46" H | 48 lbs | 3 Shelves (9", 12", 13") | 6 | Y11-M | 1 hr | Yes |
| F56-W | 14" D x 56" W x 46" H | 66 lbs | 3 Shelves (9", 12", 13") | 8 | Y11-J | 1 hr | Yes |



Fold-Away Shelving

Aluminum








| |  |  |  |  |  |  |  |
|---------------|---|---|---|---|---|--|---|
| 8330-2 | 18" D x 37" W x 46.5" H | 45 lbs | 2 Shelves (17", 17") | | | 1.3 hrs | Yes |
| 8348-2 | 18" D x 55" W x 46.5" H | 52 lbs | 2 Shelves (17", 17") | | | 1.31 hrs | No |

*Weight capacity for fold-away shelving is 65 lbs / linear foot.



Square Back Bin Shelving Unit

Aluminum

| |  |  |  |  |  |  |  |
|-------------|---|---|---|---|---|--|---|
| 7848 | 11" D x 48" W x 13.25" H | 25 lbs | 2 Shelves (9", 9") | | 16 (md) | 0.5 hr | No |





Shelving Doors

| Aluminum | | | | | |
|----------|---------------------|----------------------|--------|--------|-----|
| | | Use with shelf width | | | |
| 7720 | 44.88" W x 8.69" H | 48", 96" | 7 lbs | 0.5 hr | No |
| 7722 | 56.88" W x 8.69" H | 60" | 9 lbs | 0.5 hr | No |
| 7723 | 32.88" W x 8.69" H | 36", 72" | 5 lbs | 0.5 hr | No |
| 7724 | 20.88" W x 8.69" H | 24" | 4 lbs | 0.5 hr | No |
| 7725 | 44.88" W x 10.38" H | 48", 96" | 8 lbs | 0.5 hr | Yes |
| 7727 | 56.88" W x 10.38" H | 60" | 9 lbs | 0.5 hr | No |
| 7728 | 32.88" W x 10.38" H | 36", 72" | 6 lbs | 0.5 hr | Yes |
| 7729 | 20.88" W x 10.38" H | 24" | 4 lbs | 0.5 hr | No |
| 7730 | 44.88" W x 12.06" H | 48", 96" | 8 lbs | 0.5 hr | Yes |
| 7731 | 38.88" W x 12.06" H | 84" | 8 lbs | 0.5 hr | No |
| 7732 | 56.88" W x 12.06" H | 60" | 10 lbs | 0.5 hr | No |
| 7733 | 32.88" W x 12.06" H | 36", 72" | 6 lbs | 0.5 hr | No |
| 7734 | 20.88" W x 12.06" H | 24" | 5 lbs | 0.5 hr | No |
| 7735 | 44.88" W x 13.75" H | 48", 96" | 9 lbs | 0.5 hr | No |
| 7737 | 56.88" W x 13.75" H | 60" | 11 lbs | 0.5 hr | No |
| 7738 | 32.88" W x 13.75" H | 36", 72" | 7 lbs | 0.5 hr | No |
| 7739 | 20.88" W x 13.75" H | 24" | 5 lbs | 0.5 hr | No |



Shelf Block

| Aluminum | | | | | |
|----------|--|----------------------|-------|--------|----|
| | | Use with shelf width | | | |
| 7740 | 12" W x Adjustable from 11 1/4" to 6 5/16" | All | 3 lbs | 0.5 hr | No |



Shelving Doors

| Steel | | | | | |
|-------|---------------------|----------------------|----------|--------|-----|
| | | Use with shelf width | | | |
| Y10-C | 34.88" W x 8.69" H | 70" | 9 lbs | 0.5 hr | Yes |
| Y10-D | 37.88" W x 8.69" H | 38" | 10 lbs | 0.5 hr | No |
| Y10-F | 41.88" W x 8.69" H | 42", 87" | 12 lbs | 0.5 hr | Yes |
| Y10-H | 47.88" W x 8.69" H | 48" | 14 lbs | 0.5 hr | No |
| Y10-M | 31.88" W x 8.69" H | 32" | 8 lbs | 0.5 hr | No |
| Y11-C | 34.88" W x 10.38" H | 70" | 10 lbs | 0.5 hr | Yes |
| Y11-D | 37.88" W x 10.38" H | 38" | 11 lbs | 0.5 hr | Yes |
| Y11-E | 35.88" W x 10.38" H | 36" | 10.5 lbs | 0.5 hr | No |
| Y11-F | 41.88" W x 10.38" H | 42", 87" | 13 lbs | 0.5 hr | Yes |
| Y11-M | 31.88" W x 10.38" H | 32" | 8 lbs | 0.5 hr | No |
| Y12-C | 34.88" W x 12.06" H | 70" | 10 lbs | 0.5 hr | No |
| Y12-D | 37.88" W x 12.06" H | 38" | 12 lbs | 0.5 hr | No |
| Y12-F | 41.88" W x 12.06" H | 42", 87" | 14 lbs | 0.5 hr | No |
| Y12-M | 31.88" W x 12.06" H | 32" | 8 lbs | 0.5 hr | No |



Shelving Doors

| Steel | | | | | |
|-------|---------------------|----------------------|--------|--------|----|
| | | Use with shelf width | | | |
| Y10-J | 55.88" W x 8.69" H | 56" | 15 lbs | 0.5 hr | No |
| Y11-J | 55.88" W x 10.38" H | 56" | 16 lbs | 0.5 hr | No |
| Y12-J | 55.88" W x 12.06" H | 56" | 17 lbs | 0.5 hr | No |

SHELVING



X51-F THE NEW STEEL 9-DRAWER CABINET WILL FIT IN ANY PACKAGE



BENEFIT

Ideal for securely storing and transporting small parts, the **X51-F** Steel 9 Drawer Cabinet is made of heavy duty steel and contains 9 plastic removable bin drawers. These van storage cabinets are also designed to be mounted side by side or stacked vertically to allow for fit in multiple layouts. Handy and easy to install, they come with mounting blocks for vertical stacking.



TOUGH

Proline drawers are backed by a 10 year warranty.



QUICK

Easy to use slam latch.



SECURE

Keyed lock to guard valuables.

DRAWERS

Durable storage compartments, designed for quick and easy access.

AXESS TRAY P. 38

COMPACT DRAWERS P. 42

DRAWER CABINETS. P. 41

PARTSKEEPERS. P. 43

PARTSLIDERS. P. 40

TOOL DRAWERS P. 44

Ranger manufactures a variety of tough, quiet drawer systems and storage modules. Using top quality components such as full-extension, high-capacity ball-bearing drawer slides, secure locks, and Ranger's unique braided stainless steel cable-pull handles. These drawers are the organizational quality that you deserve.

If you never again want to experience the frustration of drawers that jam, sag, and don't latch properly, we have the solution.



DRAWERS



5032-0

Axess Tray with 1 shelf / no drawers

Aluminum

38" D x 45" W x 30" H

—

51 lbs

0.9 hr

No



5032-1

Axess Tray with 1 shelf / 1 drawer

Aluminum

38" D x 45" W x 30" H

200 lbs

89 lbs

1 hr

Yes



5032-2

Axess Tray with 1 shelf / 2 drawers

Aluminum

38" D x 45" W x 30" H

200 lbs

127 lbs

1.1 hrs

No



5032-3

Axess Tray with 1 shelf / 3 drawers

Aluminum

38" D x 45" W x 30" H

200 lbs

165 lbs

1.2 hrs

No



5032-A

Axess Tray drawer only, complete with slides

Aluminum

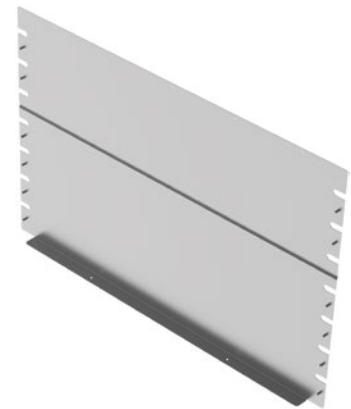
38" D x 45" W

—

38 lbs

—

No



5032-F

Axess Tray full back panel for 5032 series

Aluminum

41" W x 27.25" H

—

8 lbs

0.25 hr

No



5037-0

Axess Tray with 1 shelf / no drawers

Aluminum

38" D x 45" W x 42" H

—

55 lbs

1 hr

No



5037-1

Axess Tray with 1 shelf / 1 drawer

Aluminum

38" D x 45" W x 42" H

200 lbs

93 lbs

1.1 hrs

No



5037-2

Axess Tray with 1 shelf / 2 drawers

Aluminum

38" D x 45" W x 42" H

200 lbs

131 lbs

1.2 hrs

No



5037-3

Axess Tray with 1 shelf / 3 drawers

Aluminum

38" D x 45" W x 42" H

200 lbs

169 lbs

1.3 hrs

No



5037-A

Axess Tray drawer only, complete with slides

Aluminum

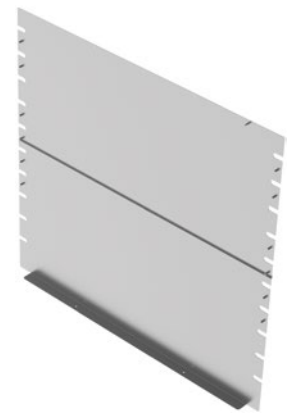
38" D x 45" W

—

38 lbs

—

No



5037-F

Axess Tray full back panel for 5037 series

Aluminum

41" W x 39.25" H

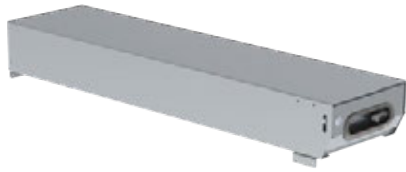
—

11 lbs

0.25 hr

No

DRAWERS



5010

Partslider drawer

Aluminum

48" D x 12" W x 6" H

150 lbs

30 lbs

0.5 hr

Yes



5011

Partslider drawer

Aluminum

36" D x 12" W x 6" H

150 lbs

26 lbs

0.5 hr

No



5014

Floor mount kit for 5010 / 5011 Partslider drawer

Aluminum

-

-

1 lb

-

No

DRAWERS



5020 Tool drawer mounted with its complementary **5010** Partslider drawer and **5048** Top edge.



5048

Top edge, for 5010 Partslider

Aluminum

48" D x 12" W x 4" H

—

5 lbs

0.2 hr

Yes



5051

Top edge, for 5011 Partslider

Aluminum

36" D x 12" W x 4" H

—

4 lbs

0.2 hr

No



5067-6

6 Drawer cabinet

Aluminum

18" D x 18" W x 28" H

150 lbs

97 lbs

0.5 hr

No



5070 Partskeeper carry case with holder

LEGEND



Dimensions



Weight Capacity



Weight



Install Time



Quickship

DRAWERS



5068-3

3 Drawer cabinet

Aluminum

18" D x 15" W x 15" H

150 lbs

45 lbs

0.5 hr

Yes



5069-2

2 Drawer cabinet

Aluminum

14" D x 24" W x 12" H

150 lbs

34 lbs

0.5 hr

Yes



X50-B

Compact 2-Drawer Unit

Steel

12.5" D x 18.5" W x 10.5" H

—

19 lbs

0.3 hr

Yes

DRAWERS



Two **5078** Partskeeper cabinet mounted side by side.



X50-C

Compact 3-Drawer Unit

Steel

12.5" D x 18.5" W x 10.5" H

-

20 lbs

0.3 hr

Yes



X51-F

Compact 9-Drawer Unit

Steel

12" D x 17" W x 12" H

-

26 lbs

0.3 hr

Yes



5070

Partskeeper carry case with holder, universal

Aluminum

14" D x 17" W x 5.5" H

-

7 lbs

0.3 hr

Yes



5072

Partskeeper carry case with holder, floor mount

Aluminum

14" D x 17" W x 8.75" H

-

7 lbs

0.3 hr

No



5078

Partskeeper cabinet with 4 carry cases

Aluminum

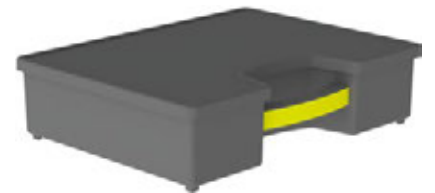
14" D x 17" W x 24" H

-

23 lbs

0.3 hr

Yes



5079

Partskeeper carry case

Plastic

13" D x 16.5" W x 4" H

-

3 lbs

-

No

DRAWERS



5082

Partskeeper cabinet with 8 carry cases

Aluminum

14" D x 17" W x 43" H

—

48 lbs

1 hr

Yes



5083

Partskeeper cabinet with 5 carry cases & 2 shelves

Aluminum

14" D x 17" W x 43" H

—

41 lbs

1 hr

Yes



5020

Tool drawer

Aluminum

48" D x 14" W x 16" H

320 lbs

46 lbs

1 hr

Yes



X50-B Compact 3-Drawer Unit and **X50-C** Compact 2-Drawer Unit combined.



5021

Tool drawer

Aluminum

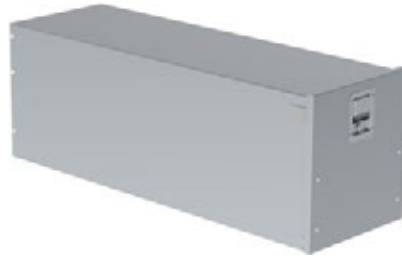
36" D x 14" W x 16" H

320 lbs

60 lbs

1 hr

No



5025

Jumbo tool drawer

Aluminum

48" D x 16" W x 19" H

320 lbs

84 lbs

1 hr

Yes



5026

Jumbo tool drawer

Aluminum

36" D x 16" W x 19" H

320 lbs

73 lbs

1 hr

No



5028

Raised base for 5020 tool drawer

Aluminum

6" D x 14" W x 6" H

—

8 lbs

0.5 hr

No



5029

Raised base for 5025 Jumbo tool drawer

Aluminum

6" D x 16" W x 6" H

—

8 lbs

0.5 hr

No



X02-A

Fleetline Tool Drawer

Steel

45.5" D x 13.5" W x 22" H

—

80 lbs

1 hr

Yes

ACCESSORIES

Choose the finishing details to tailor the upfit to your specific needs.

BINS P. 47

BOTTLE HOLDERS P. 48

HOOKS P. 50

OTHERS P. 49

PAPER HOLDERS P. 54

SEAT COVERS P. 55

WINDOW GRILLS P. 56

The finishing details are just as important when you're setting up your commercial van as they are when you're on the job site. Customize your vehicle with our wide range of options to ensure that you can perform at peak efficiency.



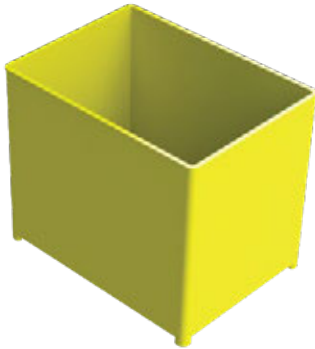
VERSATILE
Removable storage bins ensure organization on the jobsite or on the go.



SECURE
Trade specific accessories with a place for all tools and supplies.



PRODUCTIVE
Stay productive with the most used items well within reach.



6205

Bin cup

Plastic

4.5" D x 3.25" W x 3.75" H

0.12 lb

—

No



6211

Small Bin, Graphite

Plastic

6.5" D x 4" W x 3" H

0.24 lb

—

Yes



6212

Divider for 6211 small bin

Aluminum

—

—

—

No



6221

Medium Bin, Graphite

Plastic

10" D x 6" W x 4.5" H

0.56 lb

—

Yes



6222

Divider for 6221 medium bin

Aluminum

—

—

—

No



6231

Large Bin, Graphite

Plastic

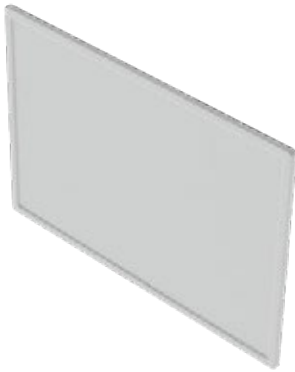
14" D x 8" W x 5.5" H

1.33 lbs

—

Yes

ACCESSORIES



6232

Divider for 6231 large bin

Aluminum

▭ —

⬆️ —

🕒 —

🔧 No



6006

3 Tier refrigerant rack for small bottles

Aluminum

▭ 14" D x 10.5" W x 43" H

⬆️ 24 lbs

🕒 0.6 hr

🔧 No



6007

4 Tier refrigerant rack for small bottles

Aluminum

▭ 14" D x 10.5" W x 43" H

⬆️ 22 lbs

🕒 0.6 hr

🔧 Yes



6008

3 Tier refrigerant rack for large bottles

Aluminum

▭ 14" D x 13" W x 43" H

⬆️ 25 lbs

🕒 0.6 hr

🔧 No



6010

Two level adjustable bottle holder

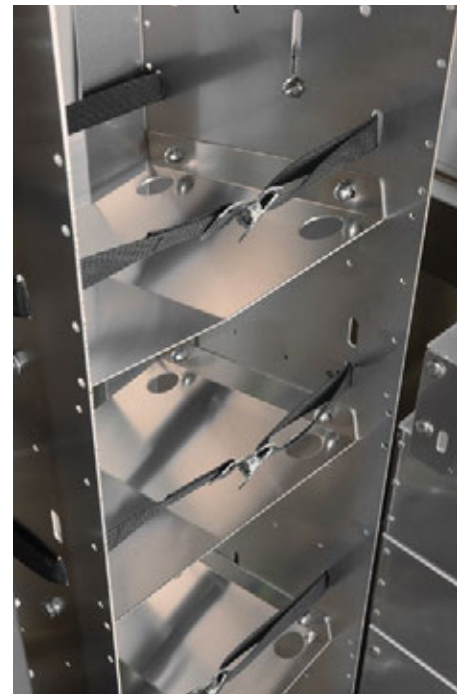
Aluminum

▭ 10.25" D x 9.5" W x 36" H

⬆️ 5 lbs

🕒 0.4 hr

🔧 No



6007 4 Tier refrigerant rack for small bottles



6020

Horizontal refrigerant bottle holder

Aluminum

12.5" D x 48" W x 13" H

17 lbs

0.5 hr

No



6030

Bottle rack with straps

Aluminum

48" W

4 lbs

0.5 hr

No



6035

Bottle rack with straps

Aluminum

60" W

5 lbs

0.5 hr

No



6040

Locking cabinet

Aluminum

8.5" D x 12" W x 24" H

16 lbs

0.6 hr

No



6041

Locking cabinet

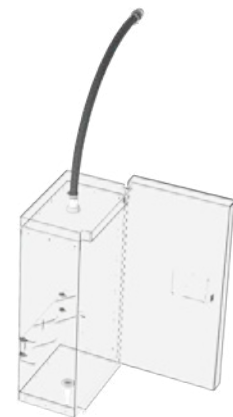
Aluminum

15" D x 15.5" W x 33" H

26 lbs

0.7 hr

No



6049

Ventilation kit for cabinet

Aluminum

—

—

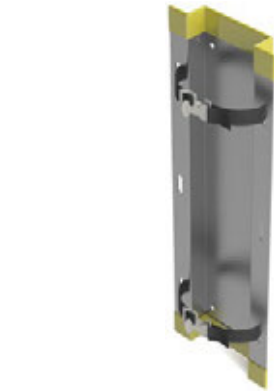
—

No

ACCESSORIES



6070 6" Hook, 3" opening, painted



6088

Large aluminum bottle holder, comes with two black nylon straps

Aluminum

8" W x 24" H

2 lbs

0.2 hr

Yes



6086

Small aluminum bottle holder, comes with a black nylon strap

Aluminum

6" W x 12" H

1 lb

0.2 hr

Yes



6070

6" Hook, 3" opening, painted

Steel

3" D

0.4 lb

0.2 hr

Yes



6072

8" Swivel Hook, 4" opening, painted

Steel

4" D

0.6 lb

0.2 hr

Yes



6073

Large aluminum movable hook, 6.5" opening, painted

Aluminum

6.5" D x 2.75" W x 4" H

1 lb

0.01 hr


Yes



Y30-C

Coat Hook, 1" opening, chrome plated

Steel





| | |
|---|--------|
|  | 1" D |
|  | 0.1 lb |
|  | 0.2 hr |
|  | Yes |

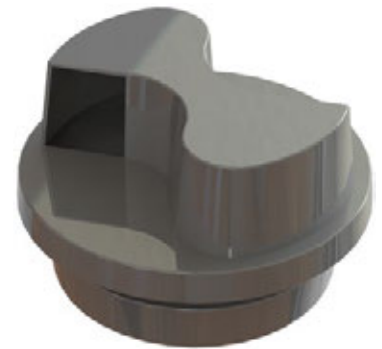


1130

Elevated strobe mount

Aluminum





| | |
|---|--------|
|  | 8" W |
|  | 1 lb |
|  | 0.1 hr |
|  | No |



6050

Flettner vent, rotary design

Plastic

| | |
|---|---------|
|  | 8.88" D |
|  | 1.5 lbs |
|  | 1 hr |
|  | No |

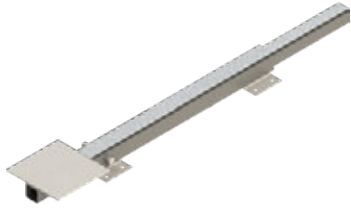
NEW RANGER DESIGN GRAPHITE BINS



BENEFIT

New graphite bin color provides a neutral balance that allows for more light and blends easily with existing colors.

ACCESSORIES



6052

Vise Holder with an 8"x 8" mounting plate

Steel

□ -

⚖ 37 lbs

🕒 0.5 hr

🔩 No



6054

Hitch Step, comes with hitch pin to fit a 2"x 2" hitch

Aluminum

□ 6" D x 12" W

⚖ 4 lbs

🕒 -

🔩 No



6057

Can Holder

Aluminum

□ 3" D x 8.5" W x 3" H

⚖ 1 lb

🕒 0.2 hr

🔩 No



6075

Transport tube door, for 6" diameter tube with stainless steel hardware

Aluminum

□ 6" D

⚖ 2 lbs

🕒 0.2 hr

🔩 No



6078

Cradle & strap kit for 6" dia. transport tube (one cradle and one strap)

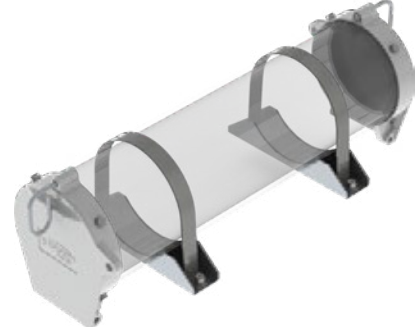
Aluminum

□ 6" D

⚖ 1 lb

🕒 0.1 hr

🔩 No



6079

Transport tube door kit complete (tube non included)

Aluminum

□ 6" D

⚖ 6 lbs

🕒 0.8 hr

🔩 No



6082

Triangle kit with aluminum holder

Other

| | |
|--|--------|
| | – |
| | 14 lbs |
| | 0.2 hr |
| | No |



6090

Back up alarm, die cast housing, fully encapsulated circuitry

Other

| | |
|--|------|
| | – |
| | 1 lb |
| | 1 hr |
| | No |



6091

Surface mount tie down ring, zinc plated

Steel

| | |
|--|--------|
| | 4" D |
| | 0.4 lb |
| | 0.2 hr |
| | No |



6092

Dome Light, chrome finish housing

Other

| | |
|--|--------|
| | 8.5" D |
| | 1 lb |
| | 1 hr |
| | No |



6093

Grab handle

Plastic

| | |
|--|--------|
| | 9.5" D |
| | 0.1 lb |
| | 0.5 hr |
| | No |



7124

Reel Holder with two 5/8" diameter rods

Aluminum

| | |
|--|-------------------------|
| | 7.25" D x 15" W x 24" H |
| | 9 lbs |
| | 0.5 hr |
| | No |

ACCESSORIES



6061

Paper Holder, extra deep, 2 slots

Aluminum

3.75" D x 12.75" W x 12" H

2 lbs

0.2 hr

No



6063

Paper Holder, extra deep, 5 slots

Aluminum

3.75" D x 12.75" W x 24" H

5 lbs

0.2 hr

Yes



6066

2 Pocket Holder, comes with 8 plastic bins

Aluminum

4.5" D x 20" W x 21.75" H

7.5 lbs

0.2 hr

No



6067

Paper Holder, regular depth, 2 slots

Aluminum

2.25" D x 12.75" W x 12" H

2 lbs

0.2 hr

No



6068

Hard Hat Holder, painted wire

Steel

-

0.5 lb

0.2 hr

No



6069

Paper Holder, regular depth, 5 slots

Aluminum

2.25" D x 12.75" W x 24" H

5 lbs

0.2 hr

No

INTRODUCING THE NEW RANGER DESIGN

SEAT COVERS






OUR KEY ADVANTAGES INCLUDE:

- › Durable material and easy maintenance
- › Urethane coating to make the fabric water and stain resistant
- › Machine wash and dryer safe
- › Easy installation of 30 minutes or less for a set
- › No interference with factory seat functions (heating, cooling or air bag)
- › Minimal seams
- › Tight custom fit for each vehicle, guaranteed to stay in place
- › Puncture resistant to prevent seat damage
- › Durable Cordura® fabric with a 1 year warranty

6251

SPECIFICATIONS

for 1 set of bucket seat covers

| | |
|---|--------|
|  | 4 lbs |
|  | 0.5 hr |
|  | Yes |

THE PERFECT FIT
FOR YOUR TOUGHEST JOBS

RANGERTM
DESIGN

Our Promise: To Help You Work More Effectively by Providing Organized Storage Solutions.

ACCESSORIES



Y31-A

Paper Holder, extra deep, 3 slots

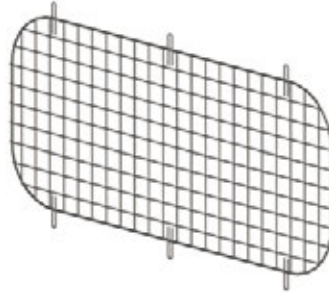
Steel

3.75" D x 12.75" W x 16" H

9 lbs

0.2 hr

Yes



3044

Grill for partition window for 3020, 3025, 3068 and 3069

Steel

—

2 lbs

—

No



3024

Partition window with frame for 3020, 3025, 3068 and 3069

Aluminum

—

5 lbs

0.5 hr

No

RANGER DESIGN PARTSKEEPER

The Ranger Partskeeper helps the mobile technician to take small parts anywhere on the job site and save return trips to the van. Removable bins included.

P.43





TOUGH

Military grade aluminum extrusion, high density plastic and stainless steel components ensure no corrosion over the lifetime of the rack.



QUIET

Aerodynamic design with minimal wind noise.



SAFE

No metal contact to ladder, leading to longer life of ladders with less chance of fiberglass splinters.

LADDER RACKS

Ergonomic Ladder Racks make loading and unloading easier.

Ranger ladder racks make loading and unloading ladders an easy operation. Ranger Design offers drop-down ladder racks for high roof vans, extra tough racks capable of carrying 28' ladders on compact vans, interior ladder carriers and many other options for different applications.



LADDER RACKS



Cargo rack

| Aluminum | | | | | | | |
|----------------|------|----------|-----|---------|--------|--|---------|
| | | | | | | | |
| 1505-NS | 115" | Standard | 54" | 480 lbs | 23 lbs | | 0.8 hrs |



Combination ladder rack

| Aluminum | | | | | | | |
|----------------|------|----------|-----|---------|--------|-----|---------|
| | | | | | | | |
| 1525-NS | 115" | Standard | 54" | 400 lbs | 47 lbs | 24' | 1.7 hrs |



Standard ladder rack

| Aluminum | | | | | | | |
|----------------|------|----------|-----|---------|--------|--|---------|
| | | | | | | | |
| 1510-NS | 115" | Standard | 54" | 400 lbs | 24 lbs | | 0.9 hrs |



Combination ladder rack

| Aluminum | | | | | | | |
|-----------------|------|----------|-----|---------|--------|-----|---------|
| | | | | | | | |
| 1525-NSX | 115" | Standard | 54" | 450 lbs | 52 lbs | 28' | 2.1 hrs |



Single clamp ladder rack

| Aluminum | | | | | | | |
|----------------|------|----------|-----|---------|--------|-----|---------|
| | | | | | | | |
| 1520-NS | 115" | Standard | 54" | 400 lbs | 32 lbs | 24' | 1.2 hrs |



Double clamp ladder rack

| Aluminum | | | | | | | |
|----------------|------|----------|-----|---------|--------|-----|---------|
| | | | | | | | |
| 1530-NS | 115" | Standard | 54" | 400 lbs | 40 lbs | 24' | 1.7 hrs |

LADDER RACKS



Double clamp ladder rack

Aluminum

| | | | | | | | |
|-----------------|------|----------|-----|---------|--------|-----|-------|
| | | | | | | | |
| 1530-NSX | 115" | Standard | 54" | 450 lbs | 54 lbs | 28' | 2 hrs |



Ladder rack accessory

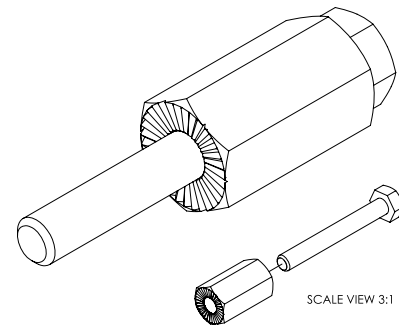
Aluminum

| | | | | | | | |
|-------------|------|----------|-----|--------|--|--|--------|
| | | | | | | | |
| 1127 | 115" | Standard | 23" | 18 lbs | | | 0.5 hr |

INSTALL GUIDES



| Product # | City Express |
|-----------------------------------|--------------|
| 5025, 5020, X02-A | - |
| Axess Tray | 6471 |
| Fold Away Shelving Driver side | 84-7107 |
| Fold Away Shelving Passenger side | 84-7108 |



The Plus Nut/Riv-Nut tool (#6490) is available at no charge upon request.

Over 350 Distributors Across the Continent

Regular Order

Quickship Order

Buy

Contact one of our 350 distributors
rangerdesign.com/find-dealer.

Ranger Quickship service is available
through your local distributor.

**Lead
Time**

Orders ship from our factory within
5 business days.

Orders placed with Ranger before 1PM EST will
ship from our factory in the next business day.



Throughout the catalog products and packages with this symbol
can be ordered through our Quickship service.

Turn-Key Fleet Services



Ship Through or Local Installation Across North America for all Types of Cargo Vans

We are pleased to offer efficient, personalized service and to answer all questions regarding:

1. Analysis

- › Cargo Needs Analysis
- › Custom 3D CAD Layouts
- › Hands-on Equipment Demo

2. Testing

- › Test Fitting
- › Pilot Build and Review
- › Optimize Package Based on Technician Feedback

3. Delivery

- › Delivery, Production and Installation Planning and Scheduling
- › Vehicle Status Tracking

4. Service

- › Dedicated Fleet Account Management Team
- › 300 Ranger Distributor Service Support Network
- › Live Customer Service

INDEX

| | | | | | | | |
|--------------------|----|-------------------|----|-------------------|----|------------------|----|
| 1050-M | 58 | 6008 | 48 | 7727 | 35 | Y10-J | 35 |
| 1127 | 58 | 6010 | 48 | 7728 | 35 | Y10-M | 35 |
| 1130 | 51 | 6020 | 49 | 7729 | 35 | Y11-C | 35 |
| 1505-NS | 58 | 6030 | 49 | 7730 | 35 | Y11-D | 35 |
| 1510-NS | 58 | 6035 | 49 | 7731 | 35 | Y11-E | 35 |
| 1520-NS | 58 | 6040 | 49 | 7732 | 35 | Y11-F | 35 |
| 1525-NS | 58 | 6041 | 49 | 7733 | 35 | Y11-J | 35 |
| 1525-NSX | 59 | 6049 | 49 | 7734 | 35 | Y11-M | 35 |
| 1530-NS | 59 | 6050 | 51 | 7735 | 35 | Y12-C | 35 |
| 1530-NSX | 59 | 6052 | 52 | 7737 | 35 | Y12-D | 35 |
| 3010-NS | 11 | 6054 | 52 | 7738 | 35 | Y12-F | 35 |
| 3020-NS | 11 | 6057 | 52 | 7739 | 35 | Y12-J | 35 |
| 3024 | 56 | 6061 | 54 | 7740 | 35 | Y12-M | 35 |
| 3044 | 56 | 6063 | 54 | 7848 | 34 | Y30-C | 51 |
| 5010 | 40 | 6066 | 54 | 8330-2 | 34 | Y31-A | 56 |
| 5011 | 40 | 6067 | 54 | 8348-2 | 34 | Z10-BW | 17 |
| 5014 | 40 | 6068 | 54 | 84-7107 | 59 | Z10-DW | 17 |
| 5020 | 44 | 6069 | 54 | 84-7108 | 59 | Z11-BW | 21 |
| 5021 | 45 | 6070 | 50 | BD36 | 33 | Z11-DW | 21 |
| 5025 | 45 | 6072 | 50 | C10-W | 11 | Z16-BW | 25 |
| 5026 | 45 | 6073 | 50 | C12-W | 11 | Z16-DW | 25 |
| 5028 | 45 | 6075 | 52 | C13-W | 11 | Z19-BW | 29 |
| 5029 | 45 | 6078 | 52 | F32-W | 34 | Z19-DW | 29 |
| 5032-0 | 38 | 6079 | 52 | F56-W | 34 | | |
| 5032-1 | 38 | 6082 | 53 | H32-W | 33 | | |
| 5032-2 | 38 | 6086 | 50 | L32-W | 33 | | |
| 5032-3 | 38 | 6088 | 50 | L56-W | 33 | | |
| 5032-A | 38 | 6090 | 53 | RD36 | 33 | | |
| 5032-F | 38 | 6091 | 53 | SD36-3 | 34 | | |
| 5037-0 | 39 | 6092 | 53 | SD60-3 | 34 | | |
| 5037-1 | 39 | 6093 | 53 | W010 | 16 | | |
| 5037-2 | 39 | 6205 | 47 | W011 | 20 | | |
| 5037-3 | 39 | 6211 | 47 | W012 | 31 | | |
| 5037-A | 39 | 6212 | 47 | W016 | 24 | | |
| 5037-F | 39 | 6221 | 47 | W019 | 28 | | |
| 5048 | 41 | 6222 | 47 | W110 | 16 | | |
| 5051 | 41 | 6231 | 47 | W111 | 20 | | |
| 5067-6 | 41 | 6232 | 48 | W112 | 31 | | |
| 5068-3 | 42 | 6251 | 55 | W116 | 24 | | |
| 5069-2 | 42 | 6471 | 59 | W119 | 28 | | |
| 5070 | 43 | 6490 | 59 | X02-A | 45 | | |
| 5072 | 43 | 6540-NS | 9 | X50-B | 42 | | |
| 5078 | 43 | 7124 | 53 | X50-C | 43 | | |
| 5079 | 43 | 7720 | 35 | X51-F | 43 | | |
| 5082 | 44 | 7722 | 35 | Y10-C | 35 | | |
| 5083 | 44 | 7723 | 35 | Y10-D | 35 | | |
| 6006 | 48 | 7724 | 35 | Y10-F | 35 | | |
| 6007 | 48 | 7725 | 35 | Y10-H | 35 | | |



NEED HELP WITH YOUR ORDER

Contact us at cs@rangerdesign.com
or call **1-800-565-5321**

**Ask us for our other Chevrolet product
related catalogs.**

Maximize Cargo Capacity & Vehicle Performance With Contractor Grade, Organized Storage Systems

When you want the perfect upfit solution for your work vehicle, turn to Ranger Design. Tested for toughness, Ranger's shelving and upfits will take whatever abuse you can dish out. Their unsurpassed craftsmanship, combined with ideal fit and finish, provide a quiet ride with no rattles.



THE PERFECT FIT
FOR YOUR TOUGHEST JOBS

CUSTOMER SERVICE

cs@rangerdesign.com

1-800-565-5321

rangerdesign.com

